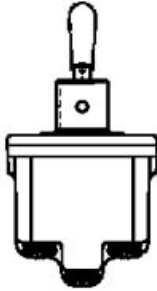




2NT1-50



NT Series Toggle Switch, 2 pole, 3 position, Screw terminal, Standard Lever

Actual product appearance may vary.

Features

- Completely sealed switching chamber
- NEMA 3, 3R, 4, and 13
- UL recognized, File E12252, Vol. 1, Section 44
- CSA certified, File LR4442
- CE approved

Potential Applications

- Aerial lifts, scissor lifts, truck mounted tele-handlers, and cranes
- Construction equipment
- Agriculture equipment
- Material-handling equipment
- Factory-floor control units
- Machine tool equipment manufacturers

Description

MICRO SWITCH™ NT Series toggle switches meet the need for a rugged, cost-effective toggle switch. Quality construction features include a seal between the toggle lever and bushing, and between the cover and case. These switches can be used where panels are subject to splashes, hosedowns, or outdoor environments. The "Easy-Start" threaded bushing enables quick alignment of mounting nut to decrease the chance of cross threading. The panel stand-off with O-ring feature available on some listings, eliminates the need for behind-the-panel hardware, provides uniform panel height, and provides a panel to cover seal.

Product Specifications

| | |
|--|---|
| Circuitry/ Operating action | <div style="display: flex; justify-content: space-around; text-align: center;"> <div> <p>Keyway Momentary Position</p> <p>ON</p> </div> <div> <p>Center Maintained Position</p> <p>ON</p> </div> <div> <p>Opposite Keyway Maintained Position</p> <p>ON</p> </div> </div> |
| Product Type | MICRO SWITCH™ Toggle Switch |
| Ampere/ Voltage Range (Resistive Load) | 0.75 A at 115 Vdc, 0.5 A at 250 Vdc, 0.5 A to 10 A at 0.5 Vac to 277 Vac, 0.5 A to 18 A at 0.5 Vdc to 28 Vdc |
| Circuitry | DPDT |
| Action | 3 position |
| Mounting | Bushing 15/32 in |
| Termination | Screw |
| Lever Type | Standard |
| UL/CSA Rating Code | L192: 10 A-125, 250, 277 Vac; 1/4 Hp-125 Vac; 1/2 Hp-250, 277 Vac; 3 A-125 Vac "L" |
| Comment | Thermoplastic case |
| Availability | Global |
| UNSPSC Code | 30211908 |
| UNSPSC Commodity | 30211908 Toggle switches |
| Series Name | NT |

MICRO SWITCH
a Honeywell Division

FED. MFG. CODE 91929

SWITCH - TOGGLE

CATALOG LISTING
2NT1-50 SERIES
CHART 1

THIS DRAWING COVERS A PROPRIETARY ITEM AND IS THE PROPERTY OF MICRO SWITCH. A DIVISION OF HONEYWELL. THIS DRAWING IS NOT TO BE COPIED OR USED WITHOUT THE APPROVAL OF MICRO SWITCH

CATALOG LISTING
2NT1-50 SERIES CHART 1

PAGE 1 OF 1

REPLACES

RELEASE NO. PR-21800

CHECK

REVISIONS

A CO-94328
S A V
22 NOV 99

CHECK

22 NOV 99

CHECK

JAF

CHECK

22 NOV 99

CHECK

PTC/CAD 2D

DRAWN

REPLACES

PAGE 1 OF 1

CHECK

RELEASE NO. PR-21800

CHECK

REVISIONS

A CO-94328
S A V
22 NOV 99

CHECK

22 NOV 99

CHECK

JAF

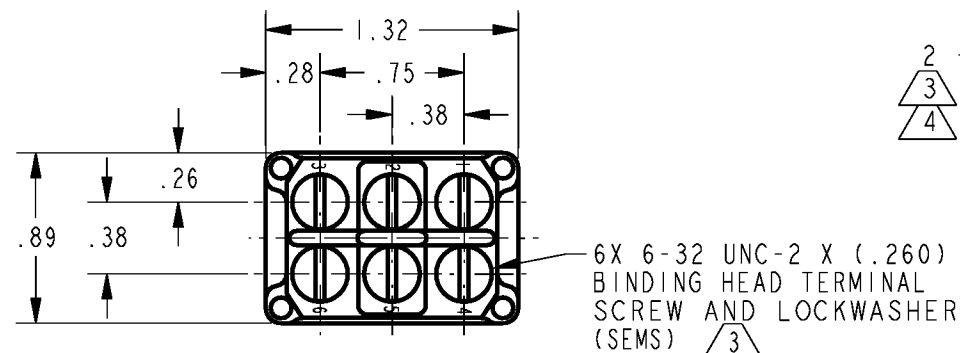
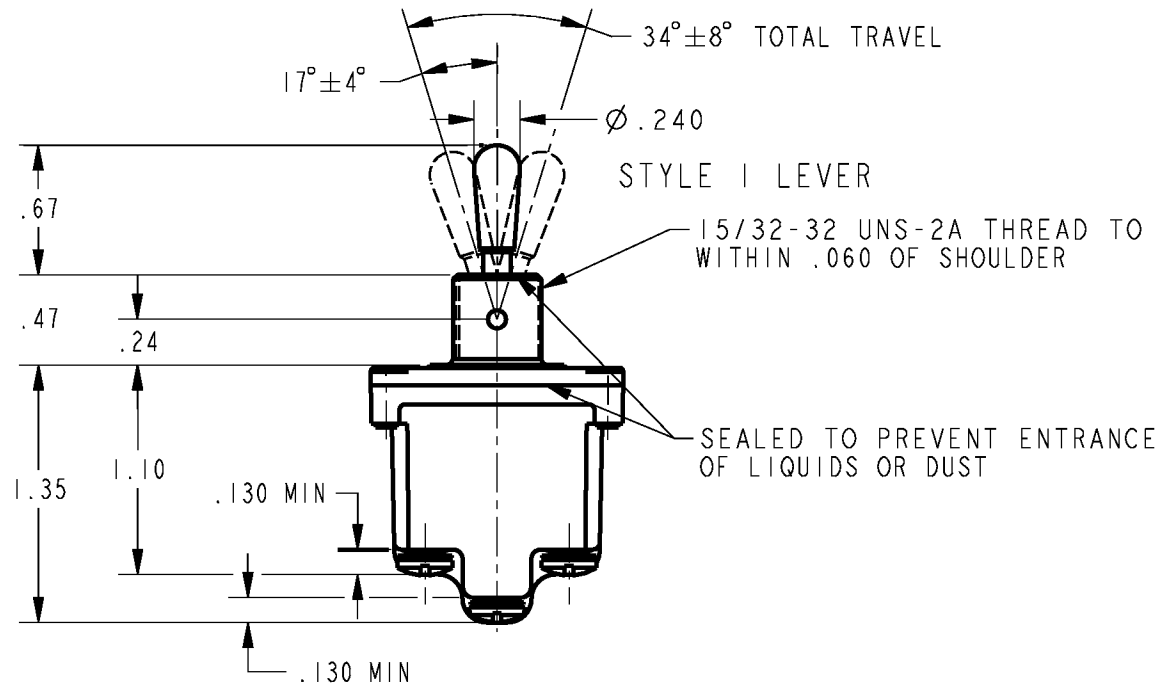
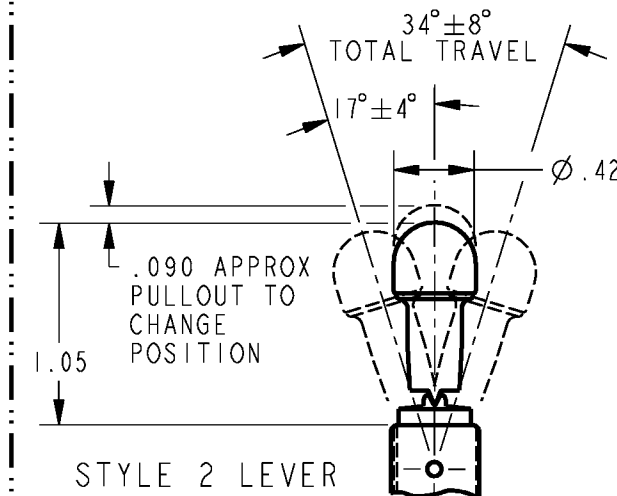
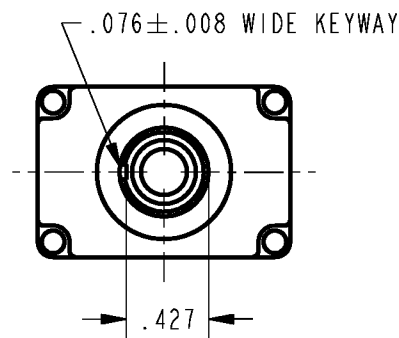
CHECK

22 NOV 99

CHECK

PTC/CAD 2D

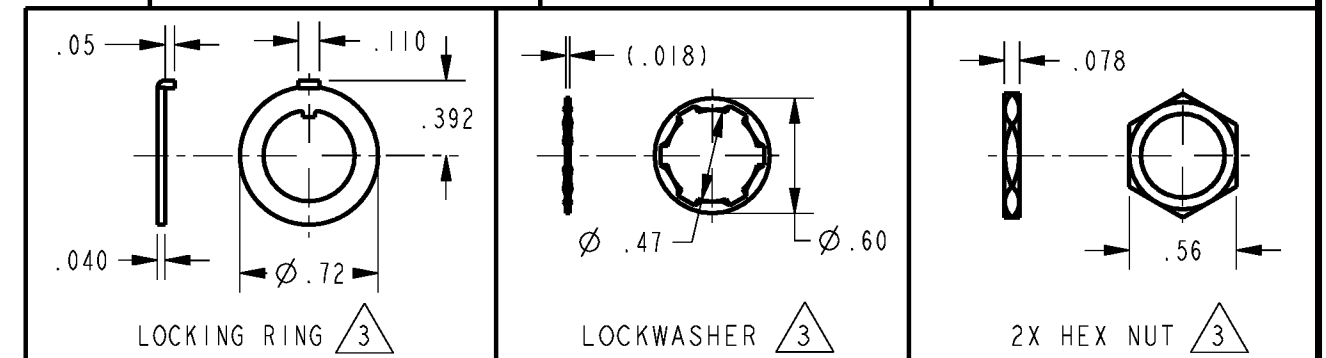
DRAWN



| CATALOG LISTING | AVAILABLE LOCKING COMBINATIONS FOR CONFIGURATION SEE LETTERED DETAILS | STYLE NUMBER | CURRENT CAPACITY (AMPS) | | | | | | | | | | | | |
|-----------------|---|--------------|-------------------------|----------|-----------|----------------|----------------|----------|-----------|----------------|---------|---|---|----|---|
| | | | RESISTIVE LOAD | | | | INDUCTIVE LOAD | | | | | | | | |
| | | | DC VOLTS | AC VOLTS | LAMP LOAD | INDUCTIVE LOAD | DC VOLTS | AC VOLTS | LAMP LOAD | INDUCTIVE LOAD | | | | | |
| 2NT1-50 | NONE | 1 | 28 | 125 | 250 | 125 | 250 | 28 VDC | 125 VAC | 28 VDC | 125 VAC | 5 | 2 | 10 | 8 |
| 2NT1-50/4 | E, F, K, L, M, N | 2 | 18 | .75 | .5 | 11 | 6 | | | | | | | | |

| "A" | "B" | "D" | "E" | "F" | "G" |
|---|---|---|--|---|--|
| | | | | | |
| LOCKED IN THREE POSITIONS | LOCKED IN CENTER AND EXTREME POS. (KEYWAY SIDE) | LOCKED OUT OF CENTER POSITION | LOCKED IN CENTER POSITION | LOCKED IN EXTREME POS. (OPP. KEYWAY) | LOCKED IN EXTREME POS. (KEYWAY SIDE) |
| "H" | "J" | "K" | "L" | "M" | "N" |
| | | | | | |
| LOCKED OUT OF CENTER AND EXTREME POS. (KEYWAY SIDE) | LOCKED OUT OF CENTER AND EXTREME POS. (OPP. KEYWAY) | LOCKED IN CENTER AND EXTREME POS. (OPP. KEYWAY) | LOCKED OUT OF EXTREME POS. (KEYWAY SIDE) | LOCKED OUT OF AND INTO EXTREME POS. (OPP. KEYWAY) | LOCKED OUT OF EXTREME POS. (OPP. KEYWAY) |

| "P" | CIRCUIT MADE WITH TOGGLE LEVER IN | | |
|---|-----------------------------------|---------------------|---------------------|
| | KEYWAY SIDE | CENTER | OPPOSITE KEYWAY |
| | | | |
| LOCKED OUT OF AND INTO EXTREME POS. (KEYWAY SIDE) | MOMENTARY POSITION | MAINTAINED POSITION | MAINTAINED POSITION |



NOTES

- 1 - SWITCHES ARE CAPABLE OF WITHSTANDING A TEMPERATURE OF 160°F CONTINUOUSLY AT FULL RATED LOAD
- 2 - MICRO SWITCH CAT. LIST. MARKED ON SIDE OF SWITCH FURNISHED UNASSEMBLED
- 3 - SUFFIX LETTER MUST BE ADDED FOR DESIRED TYPE OF TOGGLE LOCKING. SEE CHART FOR AVAILABLE LOCKING COMBINATIONS

| ELECTRICAL RATING | |
|-------------------|-----------------------|
| L192 | 10A 125, 250, 277 VAC |
| | 1/4HP 125 VAC |
| | 1/2HP 250, 277 VAC |
| | 3A 125 VAC "L" |

| THIRD ANGLE PROJECTION | |
|---|----------------|
| SCALE | FULL |
| DO NOT SCALE PRINT | |
| UNLESS OTHERWISE SPECIFIED TOLERANCES ARE | |
| ONE PLACE | (.0) ±.030 |
| TWO PLACE | (.00) ±.015 |
| THREE PLACE | (.000) ±.005 |
| ANGLES | ± |
| WEIGHT | .12 LBS APPROX |